

# *An Introduction to Transparent Mode Firewall*

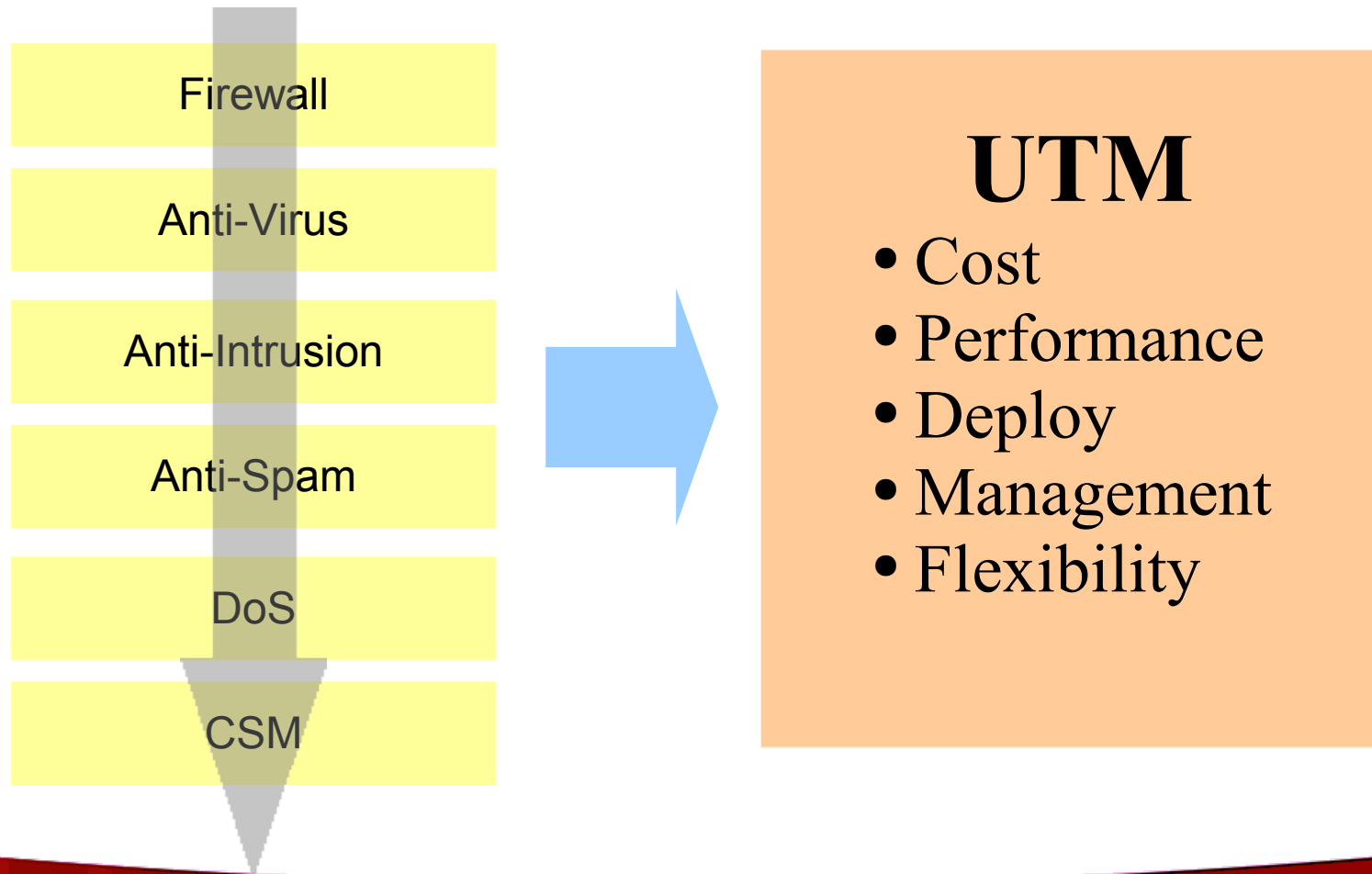
**Wynn  
Firewall team  
RD2 Department  
DrayTek Corp.**

# Outline

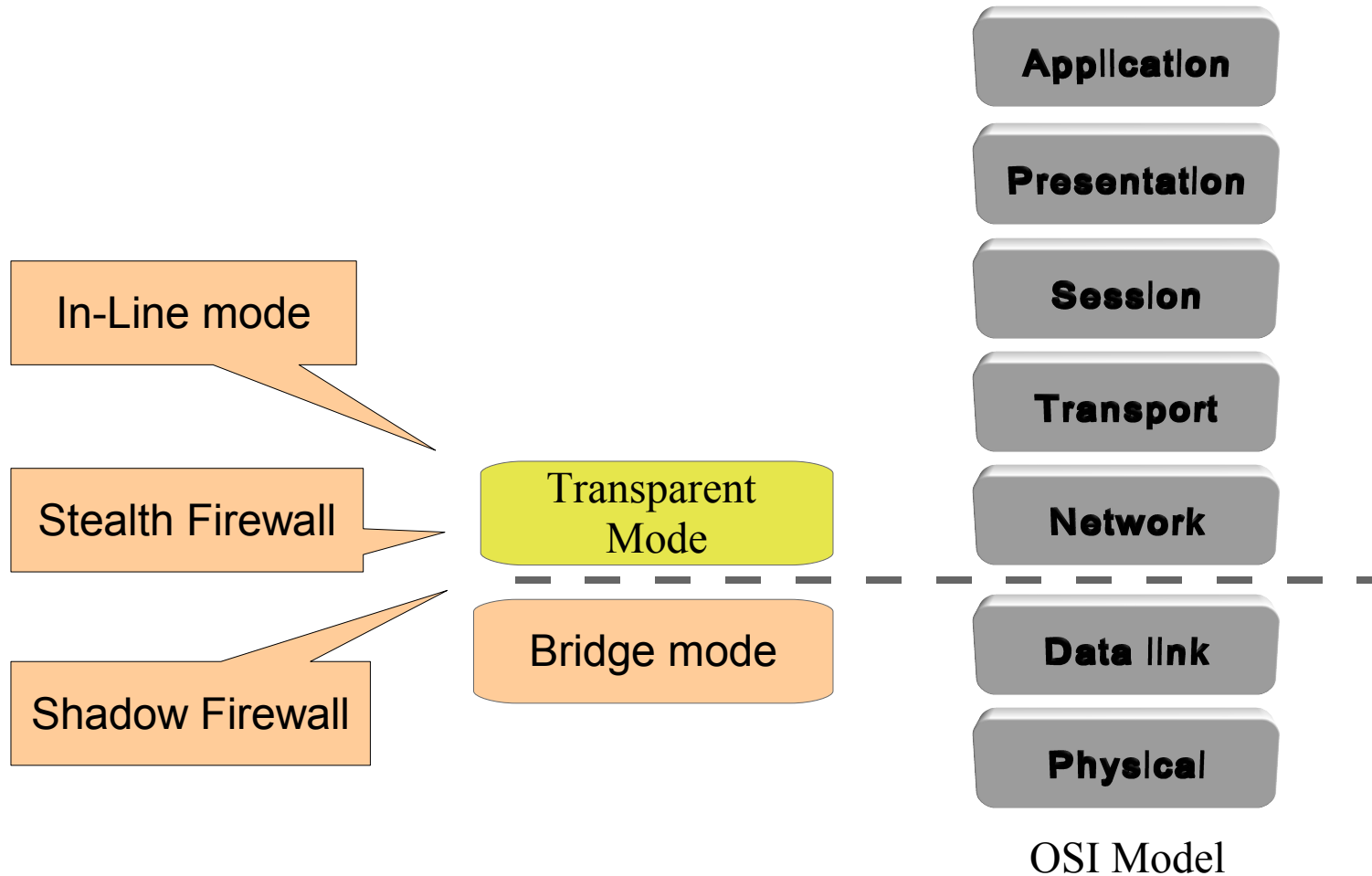
- **Introduction**
- **What is transparent mode**
- **The benefit of the transparent mode**
- **Function in transparent mode**
- **Web UI**
- **Management Issue**

# Introduction

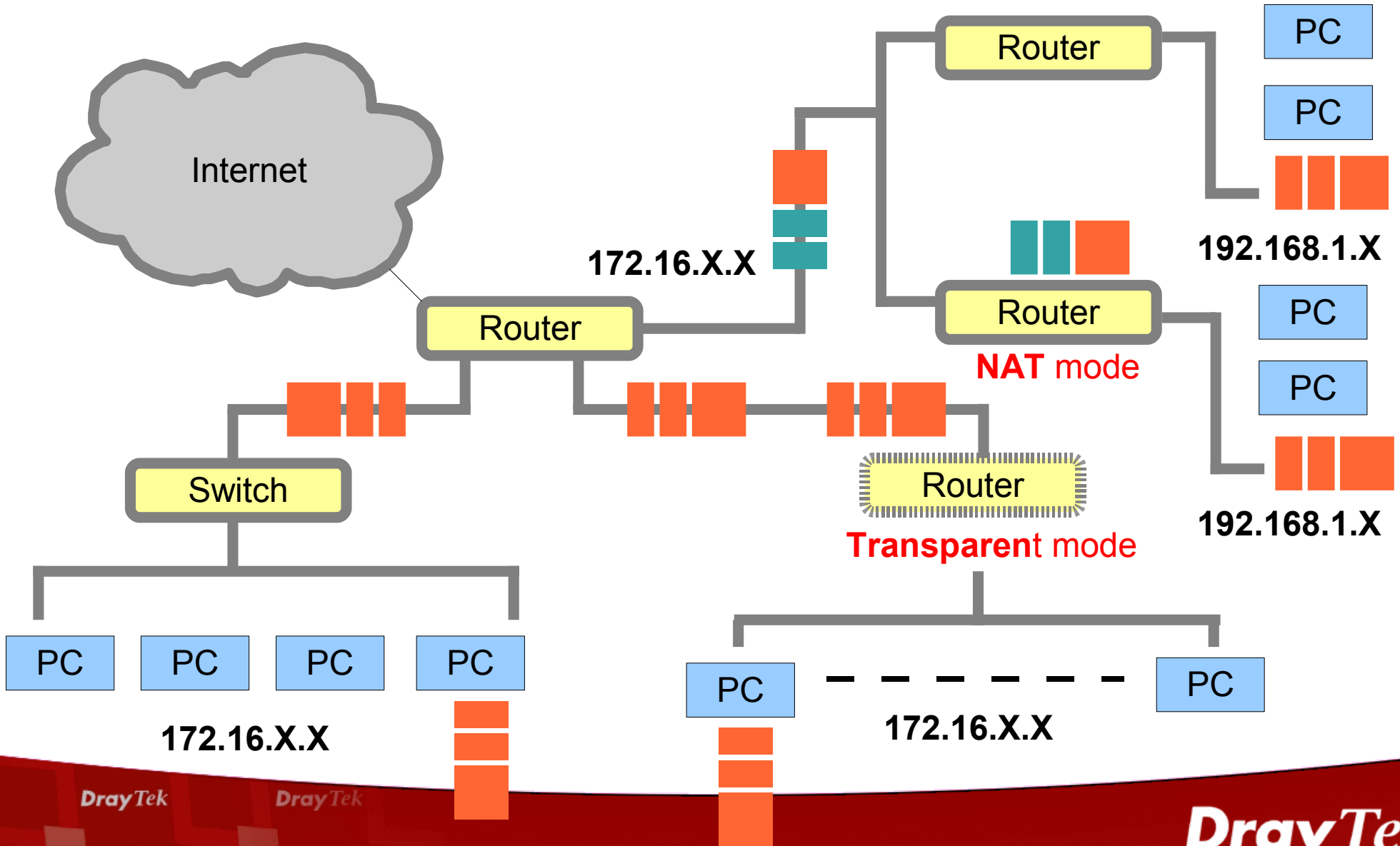
## ■ UTM (Unified threat management)



# What is Transparent Mode



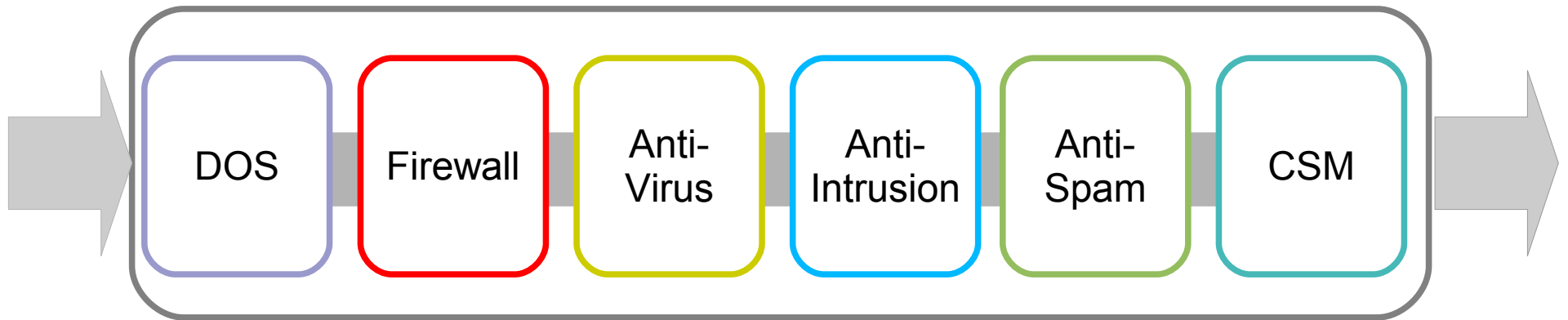
# What Is Transparent Mode(2)



# The Benefit of Transparent Mode

- **Non-readdressing**
- **No configuration**
- **Security**
- **Sniffer**
- **Co-exists with NAT mode**

# Function in Transparent Mode



# Others

- **Support Bandwidth Management**
  - Support QoS
  - Support Session limitation
  - Support Bandwidth limitation
- **Support Traffic Graphic**



# Web UI

## VIGORPRO 5500 UNIFIED SECURITY FIREWALL

Firewall >> General Setup

### General Setup

<b>Call Filter</b>	<input checked="" type="radio"/> Enable <input type="radio"/> Disable	Start Filter Set	Set#1 ▾
<b>Data Filter</b>	<input checked="" type="radio"/> Enable <input type="radio"/> Disable	Start Filter Set	Set#2 ▾
<b>Actions for default rule:</b>			
<b>Application Filter</b>	<b>Action/Profile</b>	<b>Log</b>	
	Pass ▾	<input type="checkbox"/>	
<b>Content Security Management</b>	None ▾	<input type="checkbox"/>	
<b>Anti-Virus</b>	1-Anti-virus ▾	<input checked="" type="checkbox"/>	
<b>Anti-Intrusion:</b>	<input checked="" type="checkbox"/> Enable	<input checked="" type="checkbox"/>	
<b>Anti-Spam</b>	None ▾	<input type="checkbox"/>	
<input checked="" type="checkbox"/> Accept large incoming fragmented UDP or ICMP packets ( for some games, ex. CS )			
<input checked="" type="checkbox"/> Enable Transparent mode			

OK

Cancel

# Web UI (2)

## VIGORPRO 5500

UNIFIED SECURITY FIREWALL

### System Status

Model Name : VigorPro5500 series  
Firmware Version : 3.0\_RC1d  
Build Date/Time : May 16 2007 18:27:05  
Signature Version : **basic**  
Signature Build Date : **Tue Aug 29 09:16:25.00 2006**

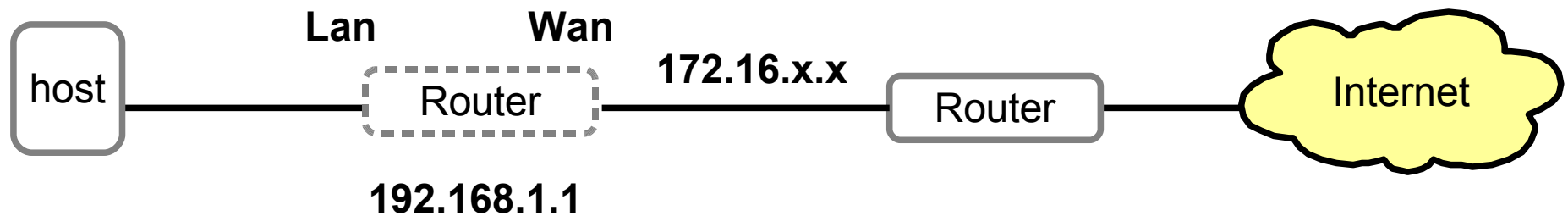
LAN	
MAC Address	: 00-50-7F-C1-54-5C
1st IP Address	: 192.168.1.1
1st Subnet Mask	: 255.255.255.0
DHCP Server	: Yes
DNS	: 168.95.1.1

WAN 1	
Link Status	: <b>Connected</b>
MAC Address	: 00-50-7F-C1-54-5D
Connection	: Static IP
IP Address	: 172.16.10.2
Default Gateway	: 172.16.10.1
Mode	: <b>NAT + Transparent</b>

WAN 2	
Link Status	: <b>Disconnected</b>
MAC Address	: 00-50-7F-C1-54-5E
Connection	: ---
IP Address	: ---
Default Gateway	: ---
Mode	: NAT Mode

# Management Issue

- Change the host ip
- Change the route lan ip



172.16.x.x

192.168.1.x

DrayTek

DrayTek

**DrayTek**

VIGOROUS BROADBAND ACCESS

DrayTek

DrayTek